

# PPU 30/45

24V | 48V



## Highly adaptable and powerful.

If diversion at high speed is required, the Pulse Popup Unit 30/45 is exactly the right choice.

Available in 24V or 48V it is perfectly adapted to any conveyor system and controlled by Pulseroller's ConveyLinx-Ai or MotionLinx-Ai.

**The PPU30/45 provides a highly efficient and compact solution for transferring goods in any material handling application.**

The design of PPU30/45 is perfectly adaptable for a wide variety of roller conveyors. The fast dynamic operating speed of the unit enables extremely high transfer rates to be achieved ensuring maximum conveyor throughput. The angle of the wheels is selectable and can be adapted to the layout of the conveyor from the outset. Left-hand or right-hand options are available at time of order.

By using Pulseroller's ConveyLinx or MotionLinx the PPU30/45 fits perfectly into the control environment of any

roller conveyor system. As the lifting movement of the transfer is conducted by means of a motor roller the unit can operate completely without pneumatics. This creates a high degree of flexibility coupled with low operating costs.

The control technology of ConveyLinx allows full stand-alone operation whereby the function program is stored directly in the control system. Alternatively, the entire control can be managed centrally via the PLC. This makes the PPU30/45 another key component of our product portfolio.

#### Benefits

- **Seamless integration in Pulseroller applications**
- **Transfer independent from conveyor**
- **High throughput**
- **Easy installation**

#### Features

- **Popup wheel transfer with Ai-technology**
- **Lift and wheel drive utilises Senergy Ai motor rollers**
- **ConveyLinx or MotionLinx integrated control**
- **30° or 45° divert angle**

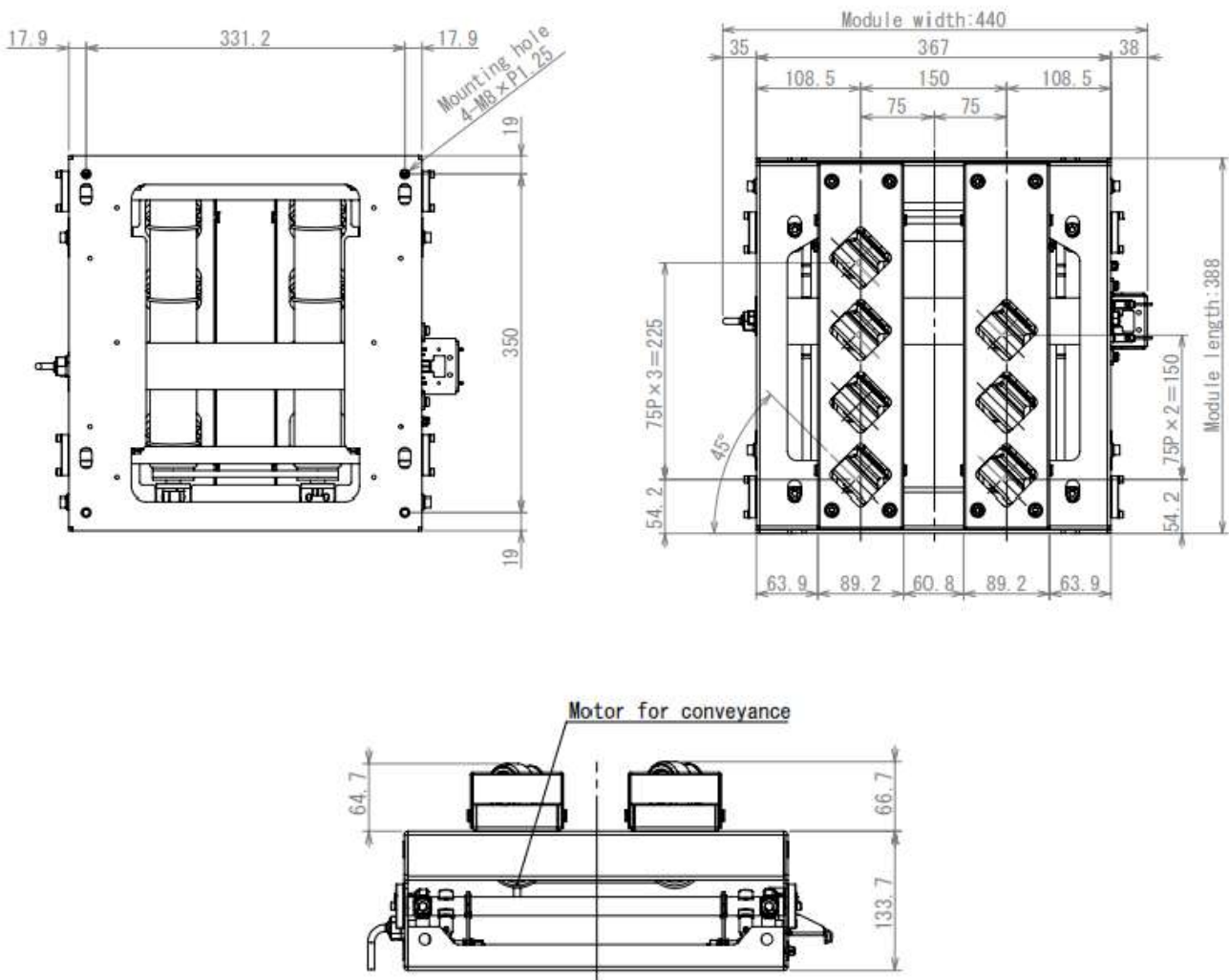


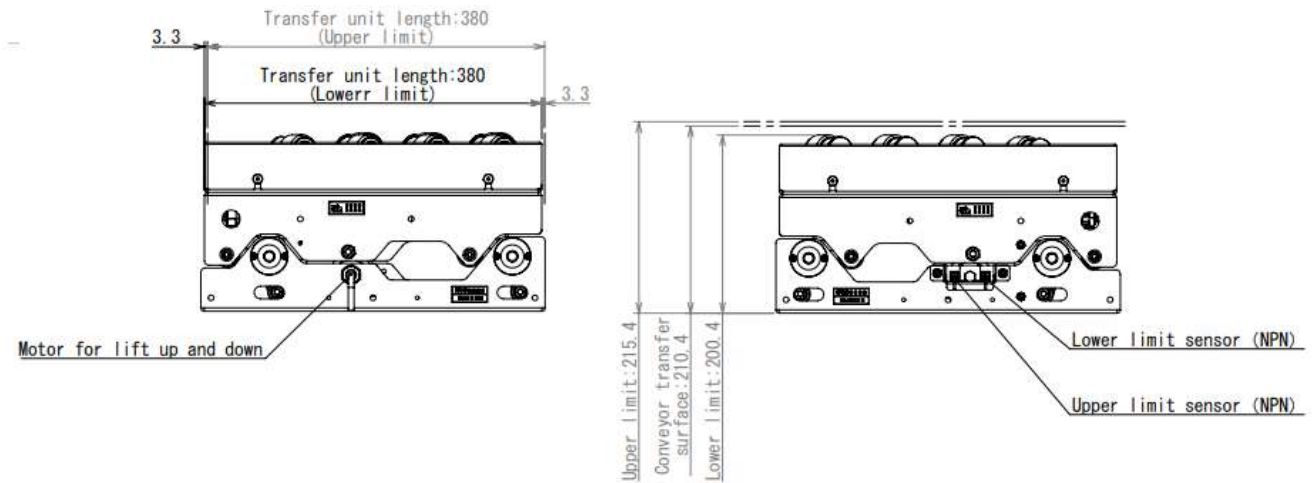
4-Pin M8 standard connector

# General Technical Data

- **Voltage:** 24V and 48V DC
- **Number of Drive Wheels:** 4 - 7 per stroke
- **Min. Dimensions:** 440x388mm
- **Max. Dimensions:** 440x688mm
- **Max. Load Capacity:** 30kg
- **Lift-Up Stroke:** 15mm
- **Connection:** M8 - 4Pin Connector, 9-Pin JST connector
- **Ambient Temperature:** -10°C – +40°C
- **Ambient Humidity:** 10% – 90% (No Condensation)
- **Certificates:** UL, CE, UKCA, ROHS, REACH

## Reference Drawing (for 400mm conveyor)



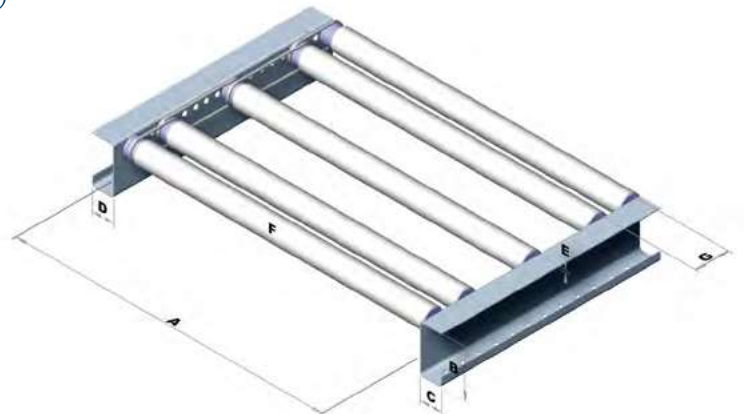


## How to Order a PDU30/45?

Each unit is made to order and its mounting is custom made to match your particular conveyor dimensions. When you contact Pulseroller to place an order for the part number you want, we will need to know the following additional information to complete your order:

### Conveyor Dimensions *(Please give all dimensions in mm)*

- A** Conveyor Between Frame (BF)
- B** Height of Conveyor Frame
- C** Width of bottom flange of conveyor frame
- D** Width of opposite conveyor frame flange (if different from C)
- E** Distance from top of conveyor frame to top of roller
- F** Roller diameter 50mm or 54mm
- G** Roller center pitch
- H** Distance from centerline of 1st PPU Lifting Unit to centerline of bottom frame flange mounting hole<sup>1</sup>
- J** Distance from centerline of 2st PPU Lifting Unit to centerline of bottom frame flange mounting hole<sup>1</sup>
- K** Distance from edge of bottom flange to centerline of mounting holes<sup>1</sup>
- L** Motor/Control - Specify Senergy (JST) or Senergy-Ai (M8 - 4Pin)<sup>2</sup>
- M** Interlocking - Specify if your conveyor has Micro-V or Grooves with O-Bands.



### Mounting Considerations

*Area under PDU90 has to be free of any conveyor supports or cross-members.*

<sup>1</sup> Irregular mounting hole pitches and locations may be accommodated. Contact us for details.  
<sup>2</sup> For Senergy-Ai motor rollers, you can specify ConveyLinX-Ai2 or MotionLinX-Ai controllers.