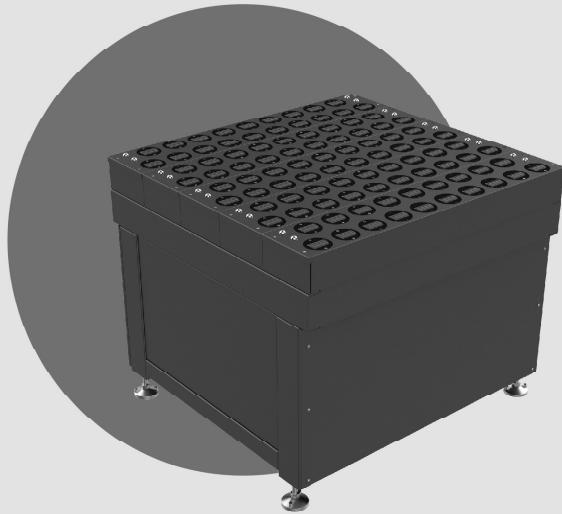
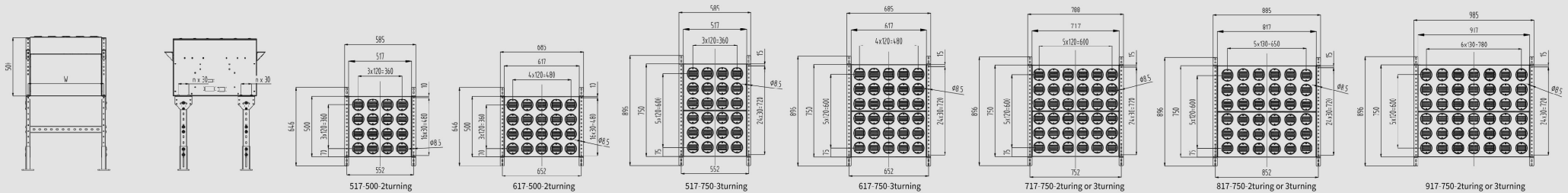


MDR (Motor driven roller) Swivel Wheel Diverter 1P (L+N) AC220V



Size: Inner width between frame (mm) × Total length L (mm) with

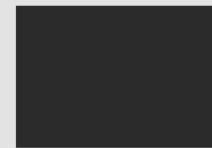
517×500×2turning speed ≤2.5m/s	617×500×2turning speed ≤1.0m/s	717×750×2/3 turning	817×750×2/3 turning	917×750×2/3 turning
517×750×3turning	617×750×3turning			
Sorting angle:		30°;45°;60°;90° (customized)		
Driving power(kw):		Brand of motor : Damon(Transfer) , Delta/Inovance(Turning) 2turning have cabinet but Non-PLC, 3turning have cabinet and PLC		
Conveying speed(m/min):		36~150m/min		
Voltage(V):		Transfer speed is adjustable by driven card		
Thickness (mm):		≥500 (other height can be customized)		
Others request:		Special size can be discussed with Damon		



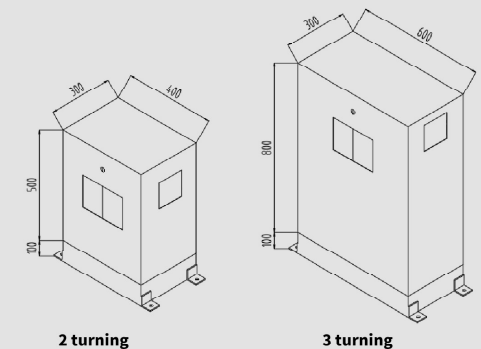
Other description

Swivel wheel have each single power roller (48V), which can be replaced easily from the top side, and the wheel turning is by another servo motor to achieve sorting. As an independent module, swivel wheel diverter will be possible to be changed the position of the system, combine with belt conveyor or roller conveyor.

- Module height:500mm
- Sorted goods Min: 100 (L) x100 (W) x100 (H) mm, 0.05kg; Max:1000 (L) × 800 (W) × 700 (H) mm, 50kg (standard)
- Horizontal installation, Standard model includes side plate.
- Can be used in G5 series conveyor and sorting system.
- Sorting direction: lateral sorting; bilateral sorting.
- Frame and support leg color: RAL7016 high light.



RAL7016



2 turning

3 turning